



Automation Simplified

Automation doesn't have to be complicated. Automation must be as simple as possible, flexible for future requirements, and dependable enough to keep production running around the clock. Automation isn't a part number or a single product, it is a group of products and solutions working together to accomplish a goal. Automation gives you a competitive advantage. Increased production, less downtime, higher quality, flexible systems, predictive intelligence, and safer machinery all set you apart from your competition.

We endeavor to help you gain that competitive advantage production or OEM machine. Your success is our success and that is our goal.

Experience

Since 1977, Scott Equipment has been dedicated to the distribution of high quality, technically advanced and energy efficient products for the industrial market. We have over 300 years of machine automation experience employed today.

Customer service is not just a department

Our entire organization is aligned around one mission, to provide the best customer service possible.

We work with more than a part number

We work to assist you in specifying the best component, assembly, or kit for your application. If a standard product doesn't exist to meet your needs, we will work to develop a custom solution to meet your specific application.

Flexibility

As we strive to offer the best customer service possible, our flexibility can be one of our greatest assets. Need something special, something different, special labels or want to order by your part number? Ask us, and we will do our best to accommodate your request.

Specials

We have over 100,000 basic products as a starting point for developing specials. Specials can be developed for high volume or low volume applications. Let us know your requirements and we will work to develop a solution for your application.

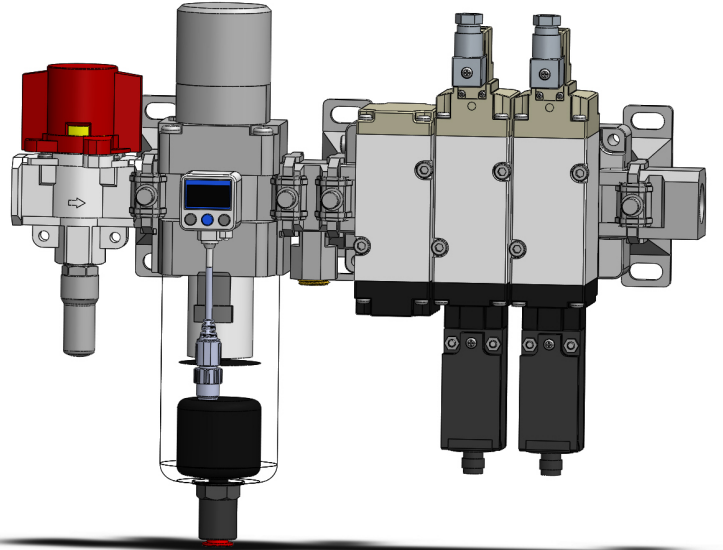


Sub-Assemblies

Our assembly services are available to provide integrated solutions utilizing the products we represent. These assemblies can range from simple to complex. With our experience in pneumatic and electrical components, we can be a valuable resource for your sub-assembly needs.

Kits

Eliminate transaction costs by requesting a kit. Instead of cutting a PO with 100 line items, receiving 100 line items, and reconciling an invoice of 100 line items, just buy one part number. Per your specifications, we will package, label and ship kits of products under a single part number.



We Build It
you install it

.....

Contact Us Today

Our goal is to exceed your expectations. For assistance, contact us in the method most convenient for you:

Online Chat: <http://www.scotteq.com>

By Phone: 800-222-2903

Via Email: sales@scotteq.com

By Fax: 704-875-0625

kassow robots

strong · fast · simple



ROBOTICS

kassow robots
strong · fast · simple

<http://www.kassowrobots.com>

Experience the Innovative
7-Axis Collaborative
Industrial Robot

PreciseFlex™

<http://www.preciseautomation.com>

SCARA Cobot
Cartesian Cobot



<http://www.schunk.com>



<http://onrobot.com>



<http://www.smcusa.com>



<http://www.datalogic.com>



<http://www.pickit3d.com>



<http://www.joulin.com>



<http://www.murrplastik.com>



<http://www.vaccon.com>

PNEUMATICS



<http://www.smcusa.com>

- Actuators
- Air Preparation
- Electronic Regulators
- Static Control Ionizers & Sensors
- Chillers
- Fittings

- Grippers
- Flow Switches
- Flow Controls
- Manifolds
- Nozzles
- Pressure Switches

- Proportional Valves
- Refrigerated Air Dryers
- Silencers
- Tubing
- Valves



<http://www.bimba.com>

- Actuators
- Valves
- Grippers
- Sensors
- Safety & Production
- Miniature Valves



<http://www.tolomatic.com>

- Rodless Actuators
- Cable Cylinders
- Pneumatic Brakes
- Pneumatic Clutches



<http://www.arozone.com>
<http://www.ingersollrand.com>

- Diaphragm Pumps
- Piston Pumps
- Air Prep.
- Lubrication Equipment
- Valves and Cylinders
- Air Motors (Piston & Vane)



<http://www.camozzi-usa.com>

- Actuators
- Manual Valves
- Nickel Plated Brass Fittings
- Nickel Plated DOT Fittings
- Push-In Fittings



<http://www.aaaproducts.com>

- Jiffy-Drill & Tap
- Thread Machines
- Heavy-Duty Valves
- Tire-Changer Valves



<http://www.fabco-air.com>

- Actuators
- Air Presses
- Logic Components
- Crimpers
- Multi-Power Actuators
- Valves



<http://www.alkoncorp.com>

- Brass DOT Fittings
- Transportation DOT Valves
- Specialty DOT Products



<http://www.enidine.com>

- Air Springs
- Shock Absorbers
- Rate Controls
- Vibration Isolation
- Wire Rope Isolators



<http://www.allenair.com>

- Brass Body Cylinders
- Valves
- Pumps
- Index Tables



<http://www.ngtvalves.com>

- PO Check Valves
- Counterbalance Valves
- OEM Cartridges



<http://www.ucimfg.com>

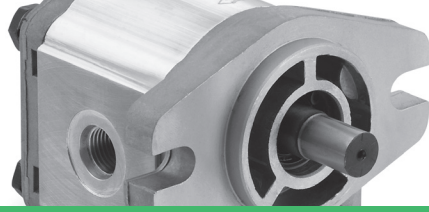
- Ball Valves
- Check Valves
- Gauges
- Relief Valves
- Mufflers



<http://www.vortec.com>

- Vortex Tubes
- Enclosure Coolers
- Air Amplifiers
- Nozzles
- Cold Air Guns

HYDRAULICS



<http://www.bimba.com>

- Medium Duty NFPA Hydraulic Cylinders (675 - 1500 psi)
- Heavy Duty Hydraulic NFPA Hydraulic Cylinders (up to 3000 psi)



<http://www.continentalhydraulics.com>

- Directional Valves
- Flow Controls
- Power Units
- Pumps



<http://www.delta-power.com>

- Cartridge Valves
- Pressure Controls
- Flow Controls



<http://www.dynamicfc.com>

- Gauges
- Gear Pumps
- Hydraulic Motors
- Manual Valves



<http://www.hydronit.com>

- Compact Power Packs
- Micro Power Packs
- DC Electro-pumps
- Integrated Motors
- Modular Systems



<http://www.lovejoy-inc.com>

- Hydraulic Pump / Motor Mounts "Bellhousings"
- Hydraulic Couplings
- Water-Oil Coolers
- Reservoirs and Accessories



<http://www.yatesind.com>

- NFPA Tie-Rod Cylinders
- Welded Cylinders
- Mill Duty Cylinders



<http://www.yuken.org>

- Directional Valves
- Flow Controls
- Pumps
- Pressure Controls
- Servo Valves

HOSE & FITTING



<http://www.adaptall.com>

- Brass, Stainless, & Nickel Plated Conversion Fittings & Adapters



<http://www.camozzi-usa.com>

- Adapters
- Compression Fittings
- Nickel Plated Brass Fittings
- Nickel Plated DOT Fittings
- Push-In Tube Fittings



<http://www.freelin-wade.com>

- Coiled Tubing & Hoses
- Lanyards
- Tethers
- Tubing



<http://www.kuriyama.com>

- Tigerflex™ Hoses
- Rubber & Thermoplastic Hose
- Fittings & Couplings
- Hydraulic Hose
- Metal hose



<https://midlandindustries.com/>

- Adapters
- Brass Pipe Fittings
- Steel Pipe Fittings
- Compression Fittings
- Quick Disconnect Couplers



<http://www.mem-co.com>

- Aluminum Barb Fittings
- Brass Barb Fittings
- Nickel Plated Brass Barb Fittings
- Stainless Steel Barb Fittings



<http://www.smcusa.com>

- High Purity PTFE Tubing
- One-Touch Tube Fittings
- One-Touch Stainless Tube Fittings
- Rotary Fittings & Manifolds
- Stainless Compression Fittings



<http://www.tompkinsind.com>

- Hydraulic Fittings & Adapters
- Flanges
- Live Swivels
- Test Points

STRUCTURAL & CONVEYING



<http://www.frame-world.com>

- Structural Aluminum Extrusion
- Industrial Frames & Bases
- Machine Guards

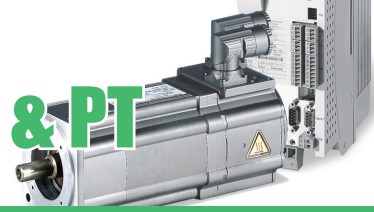


<http://www.mknorthamerica.com>

- Aluminum Conveyors
- Pallet Conveyors
- Stainless Steel Conveyors
- Aluminum Extrusion

TOLL FREE: 1-800-222-2903

ELECTRIC ACTUATORS, MOTORS, DRIVES, & PT



<http://www.smcusa.com>

- Electric Actuators
- Electric Slide Tables
- Electric Grippers
- Rotary Tables
- Card Motors
- Servo Motors & Controls
- Stepper Motors & Controls



<http://www.tolomatic.com>

- Electric Actuators
- Integrated Motor Actuators (IMA)
- Roller Screw Actuators
- Servo / Stepper Motors & Controls
- Stainless Steel Actuators
- IP69K USDA Approved Actuators
- Right Angle Gearboxes
- Caliper Disc Brakes
- Disc Cone Clutches

KOLLMORGEN

<https://www.kollmorgen.com>

- Servo, Direct Drive Linear, Rotary and Stepper Motors
- Gearheads
- Motion and AGV Systems



<http://www.jvl.dk>

- Integrated Servo Controllers, Drives & Motors
- Integrated Stepper Controllers, Drives & Motors
- Stainless Steel Motors

HIWIN®

<http://www.hiwin.com>

- Linear Guideways
- Ballscrews
- Linear Motors
- Direct Drive Motors
- Electric Grippers
- Linear Motion Modules



<http://www.apexdyna.com>

- In Line Planetary Gearboxes
- Right Angle Planetary Gearboxes
- Right Angle Spiral Bevel Gearboxes
- Precision Rack and Pinion



<http://www.linmot-usa.com>

- Linear Motors
- Linear Rotary Actuators
- Guided Linear Motors
- Servo Drives & Controls



<http://www.mayr.com>

- Torque Limiters
- Shaft Couplings
- Safety Brakes
- Electromagnetic Clutches
- Electromagnetic Brakes



<http://www.nookindustries.com>

- Acme & Lead Screws
- Ballscrews
- Ball Splines
- End Supports
- Jacks
- Planetary Roller Screws



<http://www.naemotors.com>

- Electric Motors
- Motor Controls
- Shaft Mount Gear Reducers
- Stainless Steel/Washdown Motors
- Oil Well Pump Motors
- Soft Starter Panels



<http://www.galilmc.com>

- Single Motion Controllers
- Multi-Axis Motion Controllers
- EtherCAT multi-axis motion controllers
- Remote I/O PLCs



<http://www.lenze.com>

- AC Drives / Inverters
- Gearboxes
- Gear Motors
- Servo Motors & Controls
- AC Motors & Controls

VACUUM



<http://www.edcousa.net/>

- Vacuum Cups
- Vacuum Pumps
- Cup Fittings & Accessories
- Vacuum System Accessories
- Robotic Tooling



<http://www.smcusa.com>

- Vacuum Cups
- Vacuum Pumps
- Modular Vacuum Manifolds
- Vacuum Switches
- Vacuum Filters & Regulators



<http://www.anver.com>

- Vacuum Cups
- Self Powered Vacuum Lifters
- Electrical Vacuum Pumps
- Bottle Grippers



<http://www.vaccon.com>



<https://onrobot.com>

EMAIL: SALES@SCOTTEQ.COM

INDUSTRIAL AUTOMATION & CONTROLS



stay connected

<http://www.murrinc.com>

- Fieldbus / Modular I/O
- Network Switches
- Cables and Connectors
- M8 / M12 Distribution Systems
- Power Supplies & Conditioning
- Power Monitoring and Redundancy Systems



<http://www.unitronicsplc.com>

- PLC + HMI All-in-One
- Multi-touch touchscreens
- Free Programming Software



<https://www.cimon.com>

- SCADA
- HMI
- PLC
- IPC



<http://www.findernet.com>

- Industrial Relays
- Monitoring Relays
- Solid State Relays
- Timers



<https://bacocontrols.com>

- Industrial Control and Signaling Devices
- Rotary Cam Switches
- Disconnect Switches



<http://www.lselectricamerica.com>

- VFD (Variable Frequency Drives)
- EMPR (Electronic Motor Protection Relay)
- SPD (Surge Protector Device)
- ACB (Air Circuit Breaker)



<http://www.mencom.com>

- Cables & Connectors
- Rectangular Receptacles
- Strain Reliefs



<http://www.patlite.com>

- Signal Towers
- Warning Lights
- Audible Alarms



<http://www.haewa.com>

- Customized Stainless Steel and Metal Cabinets
- Freestanding & Modular Cabinets
- Climate Control Cabinets



<http://www.murrplastik.com>

- Robotic Dress Packages
- Marking/Labeling Systems
- Cable Drag Chain
- Cable Entry Systems



- Polycarbonate Enclosures
- Custom Frames for Electrical Enclosures



- Cable Penetration Sealing Systems
- Mobile & Industrial Wireless Controls

SAFETY



<https://www.schmersalusa.com>

- Safe Switching and Monitoring
- Safe Signal Processing
- Automation Technology
- Lift Switchgear



More than safety.

<https://www.euchner-usa.com>

- Multifunctional Gate Boxes
- Transponder-Coded Safety Switches
- Electromechanical Safety Switches



<http://www.smcusa.com>

- Pneumatic Two-Hand ATD
- Safety Shut-Off Valves
- Lockout Valves
- Redundant Category 4 Pressure Release and Detection Valves



<http://www.datalogic.com>

- Safety Laser Scanners
- Safety Control Units
- Safety Sensors
- Safety Light Curtains

SENSORS, MEASUREMENT & MARKING



<http://www.baumer.com>

- Presence Detection
- Distance measurement
- Rotary Encoders
- Angle Measurement
- Identification / Image Processing



<http://www.ttco.com>

- Photoelectric Sensors
- Color Sensors
- Laser Sensors
- Fiber optics
- Encoders



<https://www.temposonics.com>

- Linear Industrial Position Sensors
- Mobile Hydraulic Position Sensors
- Liquid Level Transmitters



<http://www.smcusa.com>

- Pressure Switches
- Flow Switches
- Magnetic Field Sensors



<http://www.datalogic.com>

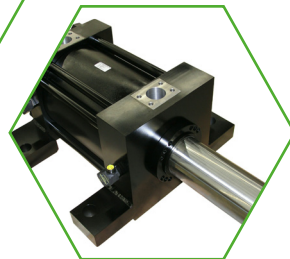
- Laser Marking Systems
- Vision Systems
- Hand held Barcode Scanners
- Barcode Tunnels
- RFID Systems
- Photoelectric Sensors

- Inductive Sensors
- Ultrasonic Sensors

LOCAL: 704-875-1611



**Ask your account manager about kits,
assemblies or scheduling a product
demonstration today!**



Scott Equipment Company
10800 Twin Lakes Pkwy.
Charlotte, NC 28269

sales: sales@scotteq.com
robots: robots@scotteq.com
<http://www.scotteq.com>

Toll Free: 800-222-2903
Local: 704-875-1611
Fax: 704-875-0625